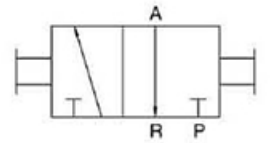
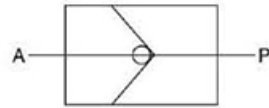


Especificaciones HSV

SERIE	HSV-1/4	HSV-3/8	HSV-1/2	HSV-3/4	HSV-1
FLUIDO	Aire Comprimido (filtrado a 40 micras)				
ACCIONAMIENTO	Accionada Mecanicamente				
TIPO DE VALVULA	3 vias 2 posiciones				
PRESION DE OPERACION	0 a 114 psi (0.15 a .8 Mpa)				
CONEXION	In/Out 1/4"	In/Out 3/8"	In/Out 1/2"	In/Out 3/4"	In/Out 1"
Minima presion de trabajo	0 psi (0 bar)				
Temperatura	-20 a 70 °C				
Tiempo de Activacion	.05 seg. (y por debajo)				
Maxima frecuencia	5 ciclos/seg				
Tipo de Valvula	Deslizamiento Manual				
Empaques	Buna				
Lubricacion	Se recomienda aceite ISO VG32				
MATERIAL	Aleacion de Aluminio				



订货举例 How to Order?

EA -- 08
EA: 单向阀
接管口径
06: 1/8"
08: 1/4"
10: 3/8"
15: 1/2"
20: 3/4"
25: 1"
订单举例:
* EA单向阀,接管口径1/4",型号: EA-08

EA -- 08
EA: one way valve
port size
06: 1/8"
08: 1/4"
10: 3/8"
15: 1/2"
20: 3/4"
25: 1"
Order Example:
* EA one way valve, 1/4" port size, Model: EA-08

订货举例 How to Order?

YHS -- 08 -- []
YHS: 滑阀
接管口径
06: 1/8"
08: 1/4"
10: 3/8"
15: 1/2"
20: 3/4"
25: 1"
空白: 标准型
MM: 双外牙型
FF: 双内牙型
MF: 外内牙型
订单举例:
* YHS滑阀,接管口径1/4", 双外牙型, 型号: YHS-08MM

YHS -- 08 -- []
YHS: Slide valve
port size
06: 1/8"
08: 1/4"
10: 3/8"
15: 1/2"
20: 3/4"
25: 1"
Blank: Standard type
MM: Double male thread
FF: Double female thread
MF: Male, female thread
Order Example:
* YHS slide valve, 1/4" port size, double male thread, model: YHS-08MM

产品特性 Product Features

* 一般不单独在气动系统中使用,通常和主阀一起用。给主阀的整体控制提供了良好的帮助,从而更好地完成整个系统的控制功能。

* Normally, it isn't used in pneumatic system separately, always used with main valve together, offering a good assistance for main valve to control the whole system, so the system can work very well.

产品特性 Product Features

* 一般不单独在气动系统中使用,通常和主阀一起用。给主阀的整体控制提供了良好的帮助,从而更好地完成整个系统的控制功能。

* Normally, it isn't used in pneumatic system separately, always used with main valve together, offering a good assistance for main valve to control the whole system, so the system can work very well.

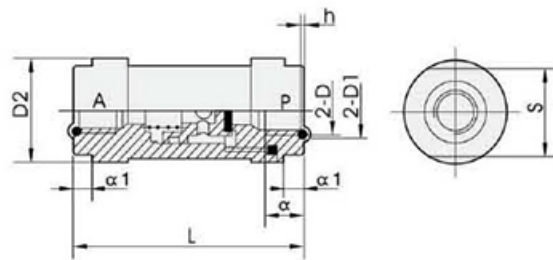
规格 Specifications

型号 Model	EA-06	EA-08	EA-10	EA-15	EA-20	EA-25
工作介质 Working medium	经25 μm滤芯过滤的空气 Clean air(After 25 μm filtration)					
动作型式 Acting type	外部控制 External control					
润滑 Lubrication	不需要 Not required					
工作压力 Working pressure(Bar)	0.5~8					
最大耐压力 Guaranteed pressure(Bar)	12					
工作温度 Working temperature(°C)	0~55					
接管尺寸 Port size	1/8"	1/4"	3/8"	1/2"	3/4"	1"

规格 Specifications

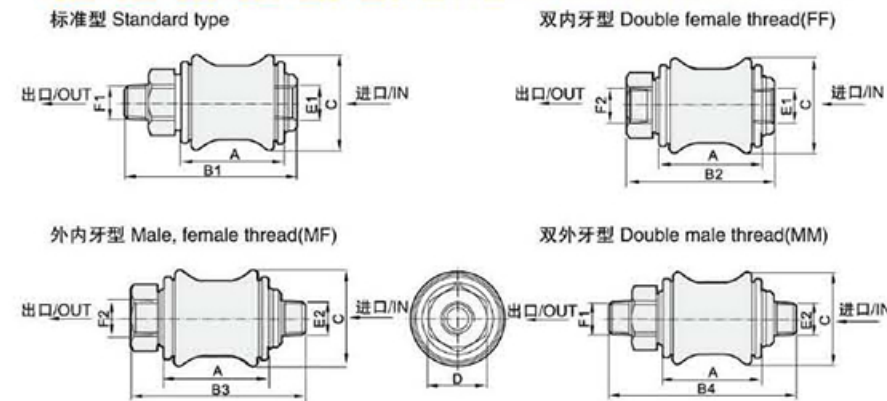
型号 Model	YHS-06	YHS-08	YHS-10	YHS-15	YHS-20	YHS-25
工作介质 Working medium	经25 μm滤芯过滤的空气 Clean air(After 25 μm filtration)					
动作型式 Acting type	外部控制 External control					
润滑 Lubrication	不需要 Not required					
工作压力 Working pressure(Bar)	0~10					
最大耐压力 Guaranteed pressure(Bar)	12					
工作温度 Working temperature(°C)	5~60					
接管尺寸 Port size	1/8"	1/4"	3/8"	1/2"	3/4"	1"

外形尺寸图 Main Dimension (mm)



型号 Model	接管口径 Port size	D	D1	D2	S	L	α	α1	H
EA-6	6	G1/8 M10 × 1	φ 13	φ 25	24	64	10	6	1.4 ^{0.1} _{-0.1}
EA-8	8	G1/4 M12 × 1.5	φ 16	φ 25	24	64	12	6	1.4 ^{0.1} _{-0.1}
EA-10	10	G3/8 M16 × 1.5	φ 20	φ 38	36	86	14	8	1.8 ^{0.1} _{-0.1}
EA-15	15	G1/2 M20 × 1.5	φ 26	φ 38	36	86	14	8	1.8 ^{0.1} _{-0.1}
EA-20	20	G3/4 M27 × 2	φ 32	φ 50	46	112	21	10	1.8 ^{0.1} _{-0.1}
EA-25	25	G1 M33 × 2	φ 40	φ 50	46	112	23	10	2.7 ^{0.12} _{-0.12}
EA-32	32	G1-1/4 M42 × 2	φ 48	φ 88	75	161	25	18	2.7 ^{0.12} _{-0.12}
EA-40	40	G1-1/2 M48 × 2	φ 54	φ 88	75	161	26	18	2.7 ^{0.12} _{-0.12}
EA-50	50	G2 M60 × 2	φ 70	φ 115	90	200	26	26	4.5 ^{0.18} _{-0.18}

外形尺寸图 Main Dimension (mm)

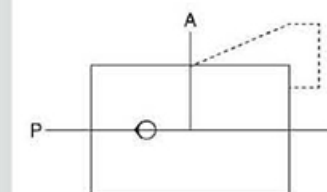
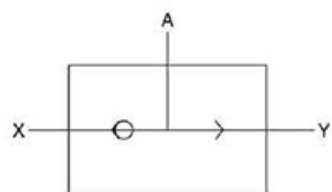


型号 Model	A	B1	B2	B3	B4	C
YHS06	30	50	43	50	57	27.5
YHS08	32.5	58	47	58	69	30
YHS10	39	68.5	55.5	68.5	81.5	35.5
YHS15	50	85.5	70.5	85.5	100.5	44
YHS20	58	96.5	79.5	96.5	113.5	53.5
YHS25	70	114.5	96.5	114.5	132.5	65.5

型号 Model	D	E1	E2	F1	F2
YHS06	17	G1/8"	G1/8"	G1/8"	G1/8"
YHS08	19	G1/4"	G1/4"	G1/4"	G1/4"
YHS10	22	G3/8"	G3/8"	G3/8"	G3/8"
YHS15	30	G1/2"	G1/2"	G1/2"	G1/2"
YHS20	36	G3/4"	G3/4"	G3/4"	G3/4"
YHS25	44	G1"	G1"	G1"	G1"

Especificaciones KKP

SERIE	KKP-06	KKP-08	KKP-10	KKP-15	KKP-20	KKP-25
FLUIDO	Aire Comprimido (filtrado a 40 micras)					
ACCIONAMIENTO	Accionada Mecanicamente					
TIPO DE VALVULA	3 vias 2 posiciones					
PRESION DE OPERACION	15 a 114 psi (0.15 a .8 Mpa)					
CONEXION	In/Out 1/8"	In/Out 1/4 "	In/Out 3/8 "	In/Out 1/2"	In/Out 3/4"	In/Out 1"
Minima presion de trabajo	15 psi (1 bar)					
Temperatura	-20 a 70 °C					
Tiempo de Activacion	.05 seg. (y por debajo)					
Maxima frecuencia	5 ciclos/seg					
Tipo de Valvula	Deslizamiento por aire					
Empaques	Buna					
Lubricacion	Se recomiendo aceite ISO VG32					
MATERIAL	Aleacion de Aluminio					



订货举例 How to Order?

ES -- 08
ES: 梭阀
ES: Shuttle valve
接管口径
Port size
06: 1/8"
08: 1/4"
10: 3/8"
15: 1/2"
20: 3/4"
25: 1"

* ES梭阀,接管口径1/4",型号: ES-08

* ES Shuttle valve, 1/4" port size,model: ES-08

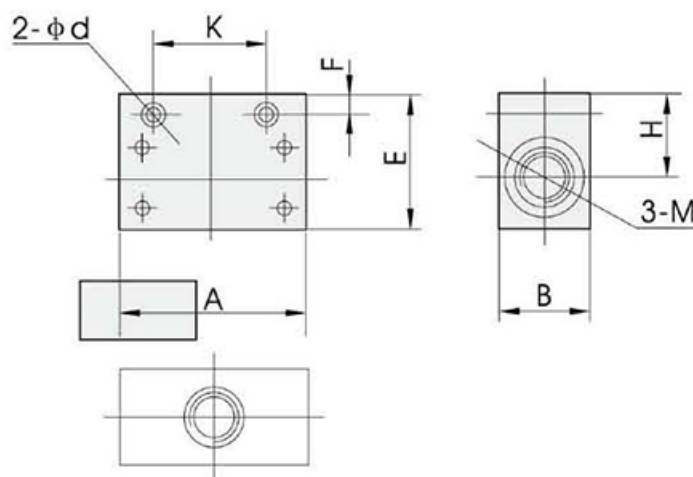
产品特性 Product Features

- * 一般不单独在气动系统中使用,通常和主阀一起用。给主阀的整体控制提供了良好的帮助,从而更好地完成整个系统的控制功能。
- * Normally, it isn't used in pneumatic system separately, always used with main valve together, offering a good assistance for main valve to control the whole system, so the whole system can work very well.

规格 Specifications

型号 Model	ES-06	ES-08	ES-10	ES-15	ES-20	ES-25
工作介质 Working medium	经25 μm 滤芯过滤的空气 Clean air(After 25 μm filtration)					
动作型式 Acting type	外部控制 External control					
润滑 Lubrication	不需要 Not required					
工作压力 Working pressure(Bar)	0.5~12					
最大耐压力 Guaranteed pressure(Bar)	12					
工作温度 Working temperature(°C)	-5~60					
接管口径 Port size	1/8"	1/4"	3/8"	1/2"	3/4"	1"

外形尺寸图 Main Dimension (mm)



型号 Model	接管口径 Port Size	A	K	B	E	H	F	D	螺纹 Thread
ES-6	6	52	36	25	42	28	9	4.8	M10x1(G1/8)
ES-8	8	52	36	25	42	28	9	4.8	M12x1.25(G1/4)
ES-10	10	70	48	36	52	34	10	7	M16x1.5(G3/8)
ES-15	15	70	48	36	52	34	10	7	M20x1.5(G1/2)
ES-20	20	110	72	55	76	49	12	7	M27x2(G3/4)
ES-25	25	110	72	55	76	49	12	7	M33x2(G1)

订货举例 How to Order?

KKP -- 08
KKP: 快排阀
ES: Quick
exhausting valve
接管口径
port size
06: 1/8"
08: 1/4"
10: 3/8"
15: 1/2"

* KKP快排阀,接管口径1/4",型号: KKP-08

* KKP quick exhausting valve, 1/4" port size,model: KKP-08

产品特性 Product Features

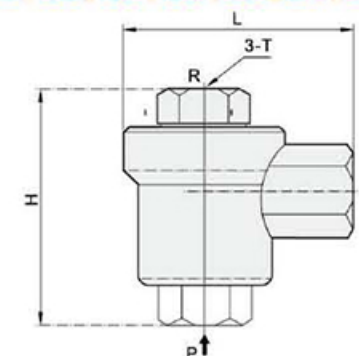
- * 一般不单独在气动系统中使用,通常和主阀一起用。给主阀的整体控制提供了良好的帮助,从而更好地完成整个系统的控制功能。

- * Normally, it isn't used in pneumatic system separately, always used with main valve together, offering a good assistance for main valve to control the whole system, so the system can work very well.

规格 Specifications

型号 Model	KKP-06	KKP-08	KKP-10	KKP-15
工作介质 Working medium	空气 (经25 μm 滤网过滤) Clean air(After 25 μm filtration)			
工作压力 Working pressure(Bar)	1.5~10			
保证耐压力 Guaranteed. pressure resistance(Bar)	12			
工作温度 Working temperature(°C)	-5~60			
工作型式 Working type	2/2			
接管口径 Port size	1/8"-1/2"			

外形尺寸图 Main Dimension (mm)



型号 Model	T	H	L
KKP-6	G1/8"	37	41.5
KKP-8	G1/4"	51	45
KKP-10	G3/8"	68	62
KKP-15	G1/2"	77	86